



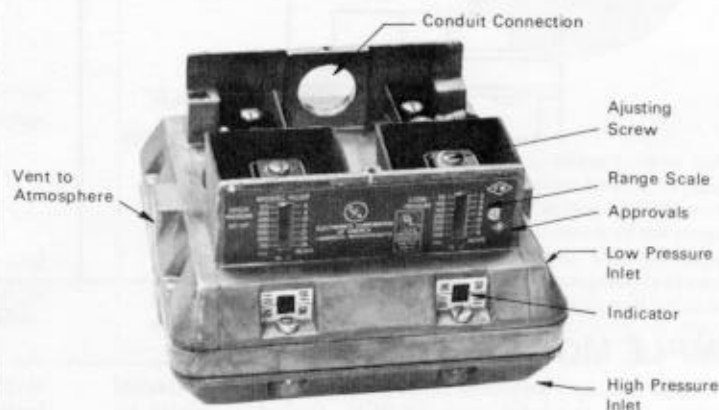
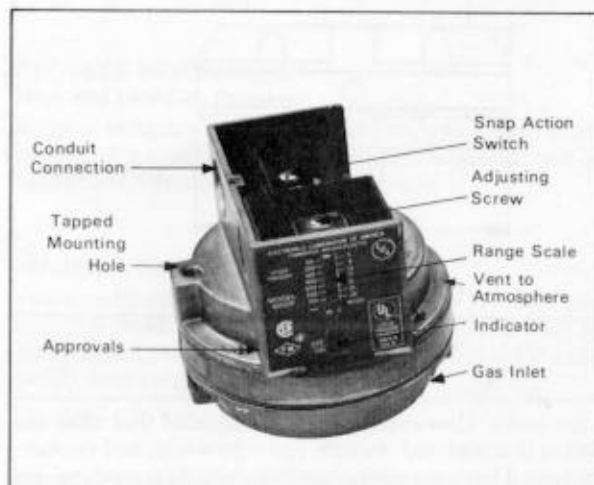
80LGP (Reset) 80RLGP (Recycle)  
80HGP (Reset) 80RHGP (Recycle)  
SINGLE FUNCTION

80HLGP (Reset)  
80RHLGP (Recycle)  
DUAL FUNCTION



## SERIES 80 GAS PRESSURE SWITCHES

- High Gas Pressure —
- Low Gas Pressure —
- High-Low Gas Pressure —



### DESCRIPTION:

Fireeye 80 Series Gas Pressure Switches for low and high gas pressure cutoff are dependable — accurate — sensitive — economical. Their design includes rugged die cast aluminum housings with sensitive diaphragms, single pole double throw switches are adjustable and have dual scales calibrated in millimeters and inches water column. Reset and recycle

switches are available. The switches have visible on-off indicators. 80HLGP and 80RHLGP switches have dual function, low and high gas pressure cutoff in a single unit which simplifies their use.

Fireeye 80 Series Gas Pressure Switches are UL-FM-CSA approved for safety interlock applications.

### SPECIFICATIONS:

#### SINGLE FUNCTION:

| Type   | Model | Range     |
|--------|-------|-----------|
| 80LGP  | 1000  | 1" - 6"   |
| 80RLGP | 1000  | 1" - 6"   |
| 80LGP  | 1001  | 2" - 14"  |
| 80RLGP | 1001  | 2" - 14"  |
| 80LGP  | 1002  | 6" - 24"  |
| 80RLGP | 1002  | 6" - 24"  |
| 80HGP  | 1000  | 2" - 16"  |
| 80RHGP | 1000  | 2" - 16"  |
| 80HGP  | 1001  | 5" - 28"  |
| 80RHGP | 1001  | 5" - 28"  |
| 80HGP  | 1002  | 10" - 50" |
| 80RHGP | 1002  | 10" - 50" |

#### DUAL FUNCTION:

|        |      |                   |
|--------|------|-------------------|
| 80HLGP | 1000 | 2" - 16", 1" - 6" |
|--------|------|-------------------|

|         |      |                    |
|---------|------|--------------------|
| 80RHLGP | 1000 | 2" - 16", 1" - 6"  |
| 80HLGP  | 1001 | 2" - 16", 2" - 14" |
| 80RHLGP | 1001 | 2" - 16", 2" - 14" |
| 80HLGP  | 1002 | 5" - 28", 2" - 14" |
| 80RHLGP | 1002 | 5" - 28", 2" - 14" |

Switch Ratings 10 amps, 1/8 HP at 120VAC  
5 amps, 1/8 HP at 240VAC

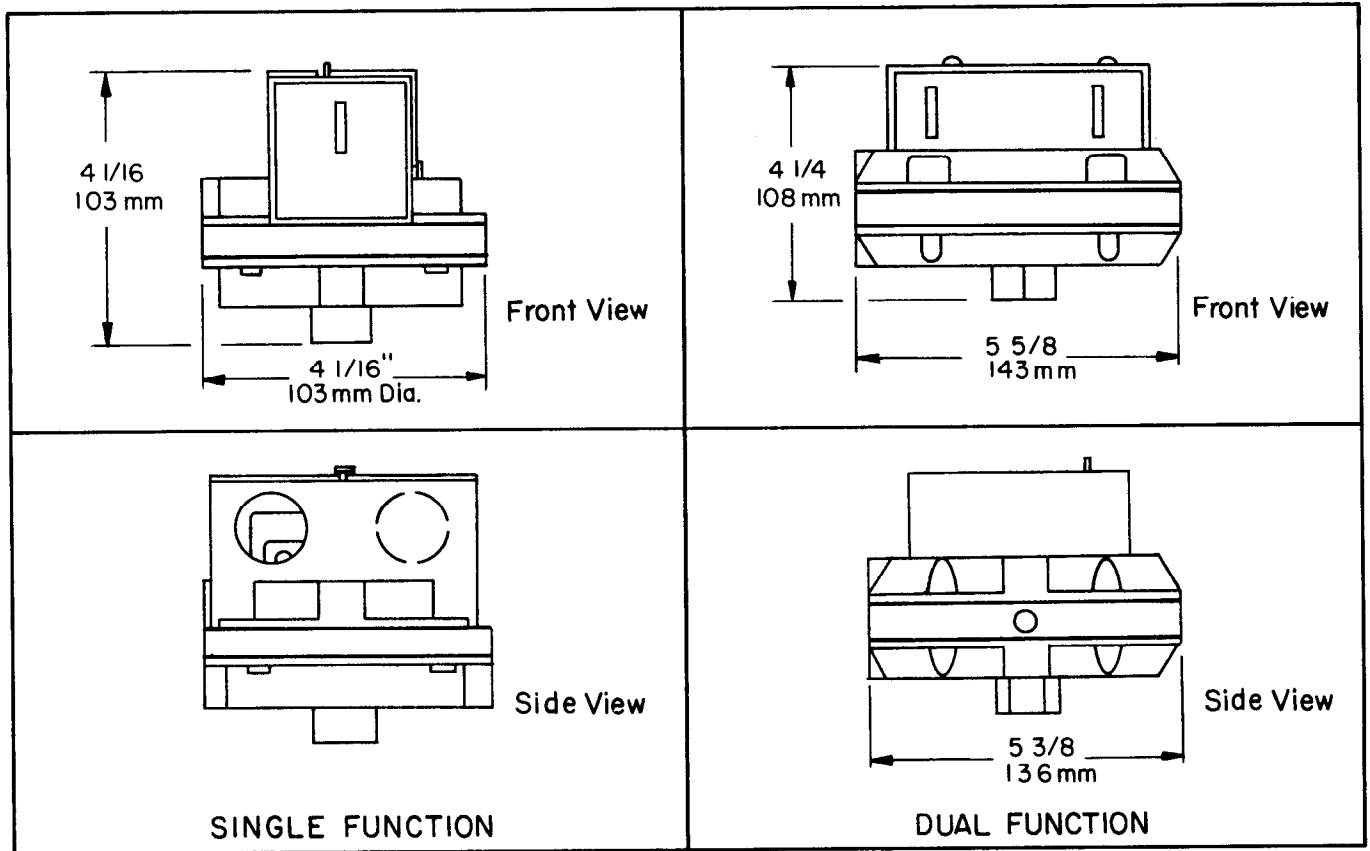
or  
125 VA Pilot Duty

Ambient Temperature Limits 140° F (60°C) Max  
-25° F (-30°C) Min

Maximum Pressure Surge 10 PSIG

# FIREYE DIVISION

ELECTRONICS  
CORPORATION  
OF AMERICA



### SIMPLE MOUNTING-all models

All Gas Pressure switches must be mounted in a horizontal position, with the inlet stem DOWN. Switches should be reasonably level but do not require accurate levelling.

Single model switches have a 1/4-inch N.P.T. gas inlet.

Double Combination HI-LO switches have a 3/8-inch N.P.T. high pressure inlet and a 1/8-inch N.P.T. low pressure inlet.

Gas vent outlets are 1/8-inch N.P.T. on all models.

Piping can be either standard black pipe or aluminum tubing.

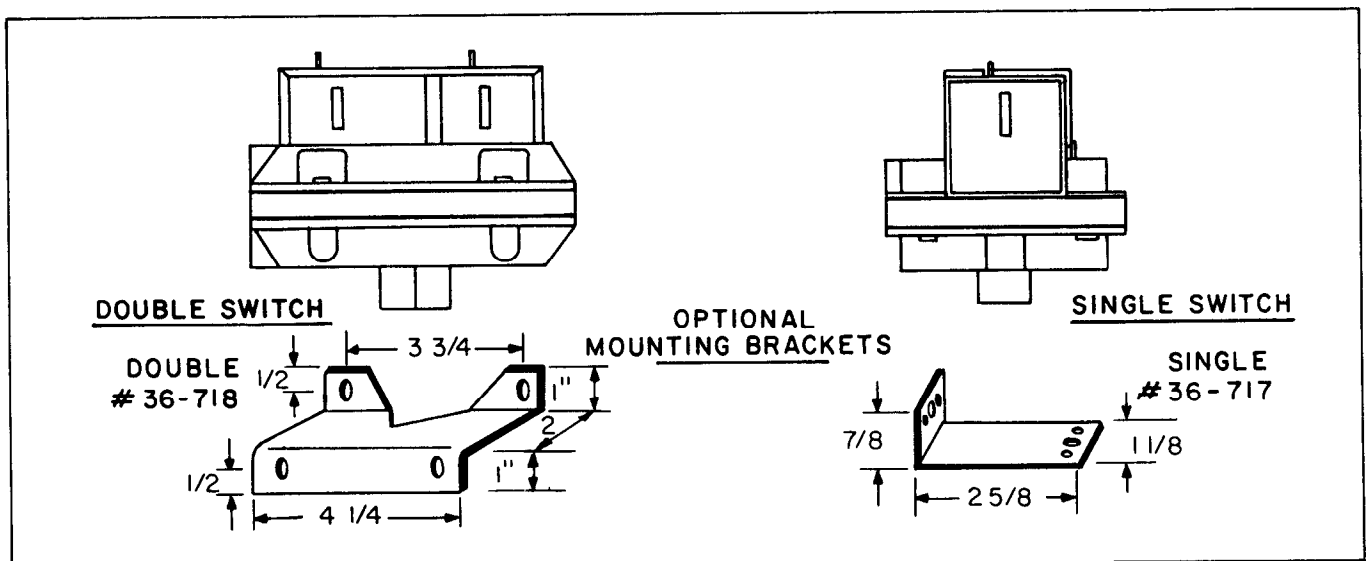
All switches can be supported by the inlet pipe, may be bolted to an existing bracket or an optional mounting bracket may be used.

All switches have been factory-calibrated, adjusted, and

tested for leaks. However, it is recommended that after the installation is completed, switch, gas pipe inlets, and connections be tested for leaks with soap bubble test.

### CAUTION

1. Installer must be trained and qualified
2. Turn off Power before installation
3. When installation is completed, test the operation to verify the unit functions properly
4. Test the complete installation at least once a month to verify proper operation



## OPERATION

### RESET MODELS (80)

#### Low Gas Pressure

Low Gas Pressure switches break the electrical contact on pressure drop at the point where gas pressure becomes lower than the indicated set point.

Before the manual reset lever can be properly latched, gas pressure in the chamber must be higher than the indicated setting. The ON-OFF indicator on the top of the switch shows whether reset lever is in the latch position. Indicator must be in ON position after latching to be properly set.

#### High Gas Pressure

High Gas Pressure switches break the electrical contact when pressure RISES ABOVE the indicated preset point. The reset lever should be latched and indicator will be in the ON position if the gas pressure in the switch chamber is below the indicated high setting.

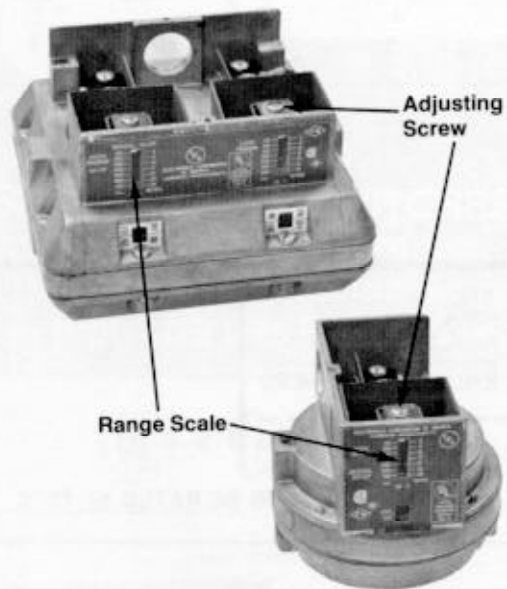
### RECYCLE MODELS (80R)

#### High and Low Gas Pressures

Recycle models operate automatically and do not need to be reset. Otherwise they are constructed, adjusted, and operate in the same manner as the Reset models.

### COMBINATION MODELS

The Combination unit contains one High Pressure unit and one Low Pressure unit, in the ranges you select. They may be either Reset, or Recycle. Each unit has ON-OFF indicator, and its own range scale indicator.



### RANGE ADJUSTMENT All Models

To adjust gas pressure cut-off setting on either high or low pressure units, remove the electrical junction box cover, and adjust setting screw up or down to desired setting, as shown on the range scale on front of switch. Use the center of the range indicating tab as a guide for accurate setting. Turn adjusting screw clockwise to lower the set point and counter-clockwise to raise the setting. To prevent tampering with setting after adjustment, be sure to replace the junction box cover firmly.

## ELECTRICAL INFORMATION

### ELECTRICAL RATINGS

#### All Models

10 Amps at 125 Volts

5 Amps at 250 Volts

or

1/8 HP 125 VAC

1/4 HP 250 VAC

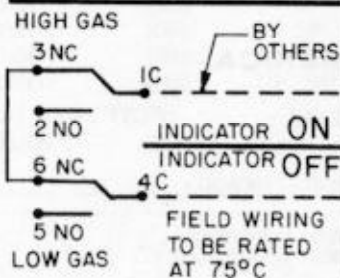
or

125 VA Pilot duty

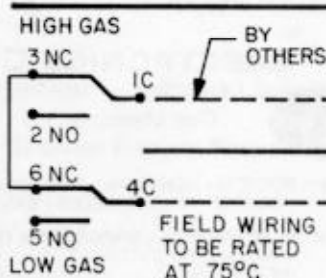
### ELECTRICAL WIRING

#### Combination Models

Reset Model 80 HLGP

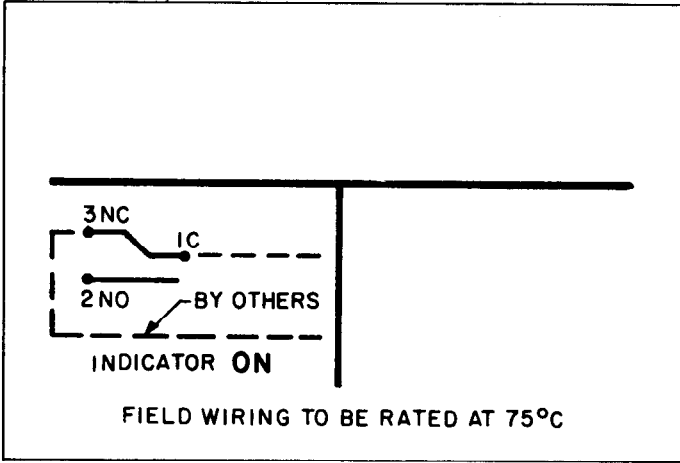


Recycle Model 80 RHLGP

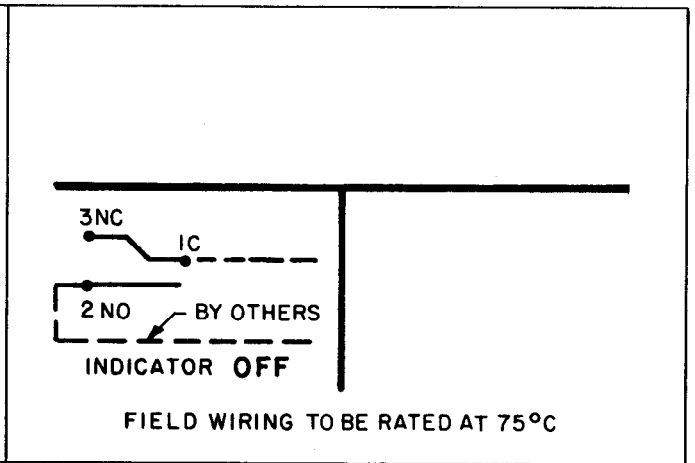


**SINGLE MODELS**

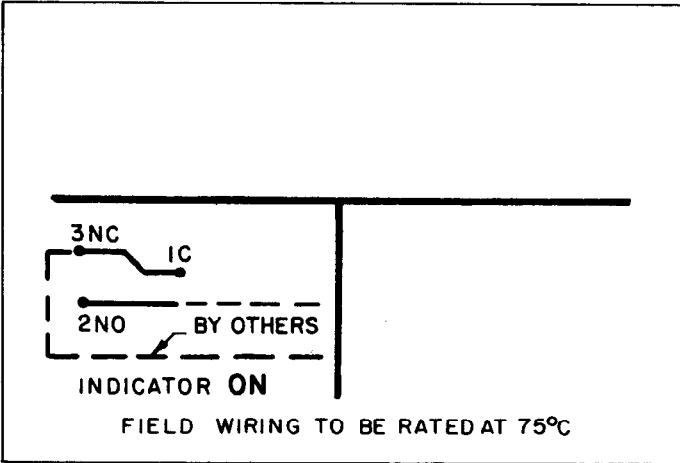
**Reset 80 HGP**



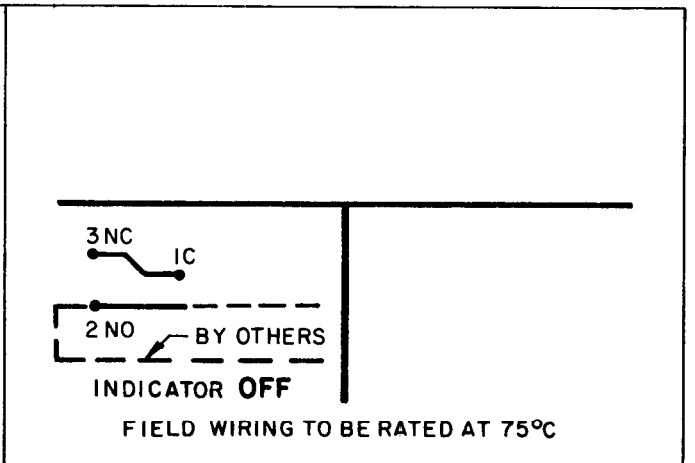
**Reset 80 LGP**



**Recycle 80 RHGP**



**Recycle 80 RLGP**



Field wiring by others must be rated at 75°C for industrial use.



**ELECTRONICS CORPORATION OF AMERICA**

FIREEYE DIVISION

One Memorial Drive—Cambridge, Massachusetts 02142

**Area Sales Offices:** BOSTON • NEW YORK • PHILADELPHIA • ATLANTA • CLEVELAND • DETROIT • CHICAGO • HOUSTON • LOS ANGELES • SAN FRANCISCO

**Subsidiaries:** ELECTRONICS CORPORATION OF AMERICA • (CANADA) LTD., TORONTO • MONTREAL • VANCOUVER • (INTERNATIONAL) • (EUROPE) N.V. • (FRANCE) S.A. • (GREAT BRITAIN) LTD. • (NEDERLAND) N.V. • (DEUTSCHLAND) G.m.b.H. • (ITALIA) S.p.A.