

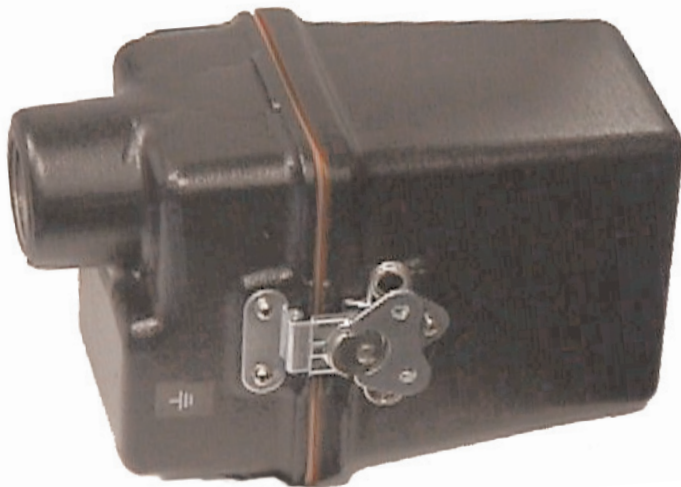
# Reliable Flame Scanning is “Simplicity” Itself

**INTRODUCING**

# **Simplicity**

**65UV5-1004, 1004E  
FLAME SCANNERS**

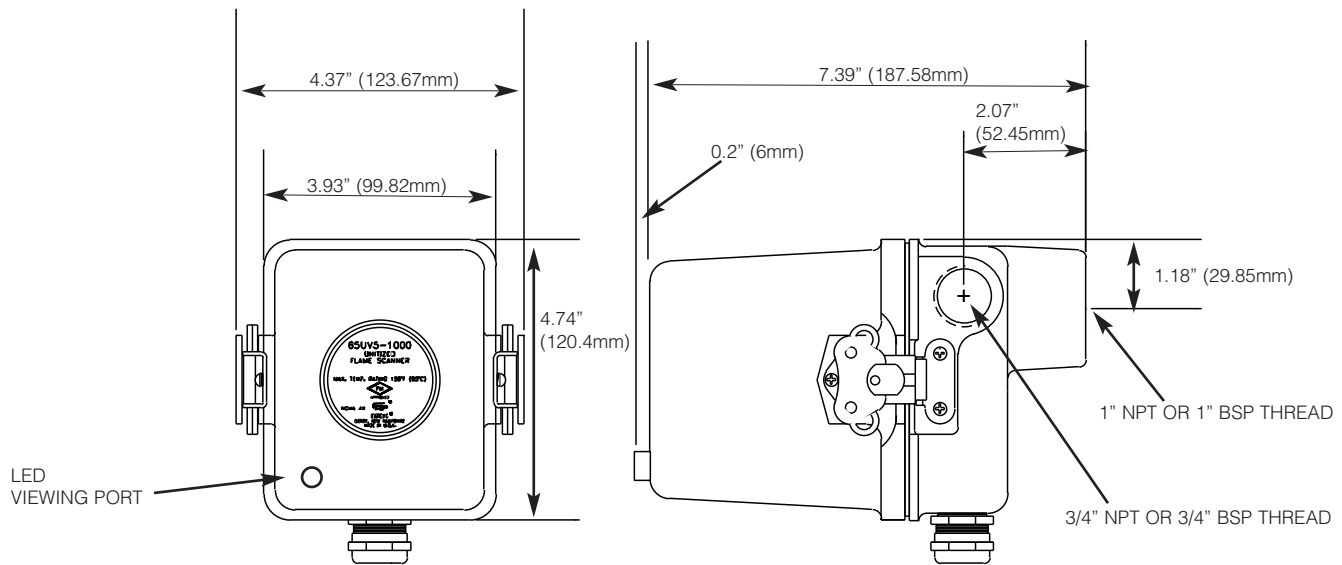
**FROM**



## **FEATURES INCLUDE:**

- Fully integrated design - a true one piece system
- No programming - minimal setting up - 'out of the box' operation
- Superb detection, sensitivity and wide angle of view
- Field proven and reliable technology
- Worldwide safety agency approvals
- Rugged NEMA 4X (IP66) housing
- Hazardous Area Classification
- Truly economical solution
- Two versions covering world-wide applications

## 65UV5 FLAME SCANNER DIMENSIONS



## SPECIFICATIONS

### MECHANICAL:

Housing Material:	Cast aluminum with black polyester powder coat finish
Housing Weight:	4 lbs (2kg)
Environmental:	NEMA 4X, IP66
Mounting:	Model 1004: 1" NPT female pipe mount with 3/4" NPT female cooling air connection Model 1004E: 1" BSP female pipe mount with 3/4" BSP female cooling air connection
Hazardous Classification:	Model 1004: Class I Div 2, Groups A, B, C, D, Class II Div 2, Groups F & G Model 1004E: Ex II 3 G/D EEx nA IIC T4A

### COOLING/ PURGE AIR REQUIREMENTS:

Source:	Clean, dry, cool
Volume:	4 SCFM (113 l/min) at 3/4" threaded mounting flange, or 1 inch "Y" fitting, mounted on scanner sight pipe. Temperature near the upper limit of the scanner operating range and/or use with dirty/dusty fuels may require up to 15 SCFM (425 l/min)
Pressure:	Adequate to overcome furnace or windbox pressure
Temperature Rating:	-40° F to + 150°F (-40°C to +65°C)
Humidity:	0% to 95% relative humidity, non-condensing

### ELECTRICAL:

Input Power:	24 Vdc, +10%, -15% supply current 100 mA
Electrical Connection:	Cable gland and 10 ft (3m) of captive eight conductor cable
Flame Relay Output:	SPDT (1 N.O., 1 N.C.)
Fault Relay Output:	SPST (1 N.O.)
Contact Rating:	Minimum: 10 mA @ 5 Vdc Maximum: 2 A @ 30 Vdc, 2 A @ 240 Vac
Analog Output:	4-20mA dc current, referenced to 24 VDC common, maximum connected load 750 ohms
Status Indication:	One (1) internal 2-color LED: "Flame Signal", "Fault"

### INTEGRAL CABLE SPECIFICATION:

Eight (8) Conductors:	#18 AWG, color coded
Jacket:	PVC, meets UL PLTC Class I, Div 2, no conduit required, UV and Oil resistant
Outside Diameter:	0.383 NOM.
Cable Temperature Rating:	-13°F to + 221°F (-25°C to +105°C)



*Thinking Beyond the Traditional...*

3 Manchester Road • Derry, NH 03038 • USA  
603-432-4100 • Fax: 603-432-1570  
www.fireeye.com