

# FIREYE MODERNIZATION ADAPTER # 60-2060-15

FOR REPLACING SELECTED  
FIREYE 25SU5 MODELS WITH  
70D40/70D41 FIREYE CONTROLS

## DESCRIPTION

FIREYE, Modernization Adapter #60-2060-15 assists the replacement of Fireye 25SU5 models listed below using modular Fireye 70D40-41, with 72DUVS4 self-checking amplifier and using existing 45UV5-1005 or 1105 self-checking UV detector.

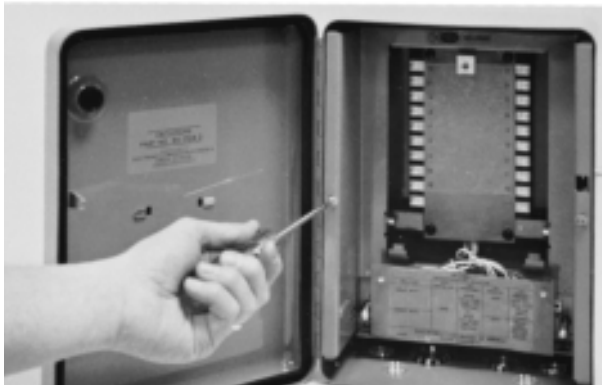
PD 15 MODERNIZATION ADAPTER #60-2060-15			
REPLACES 25SU5 MODELS:	CONTROL UNIT	AMPLIFIER MODULE	SCANNER
4013 4113 4018 4113T	70D40 (120V)	72DUVS4 or 72DUVSIT for 4113T	45UV5 1005 OR 45UV5 1105
4116T 4116 4119	70D41 (230V)	4116T CONTROLS	(SIGHT PIPE AND PURGE OPENINGS HAVE WHITWORTH GAS THREADS).
FIREYE DERRY, NEW HAMPSHIRE			

1. Loosen the two chassis retaining screws and remove the chassis from its enclosure. Note the chassis type and model number.



2. Fireeye 25SU5 controls may be wired and operated in a variety of methods. The circuit diagram on page 3 illustrates the interconnection between the 25SU5 and 70D40-41 control. It shows the recommended method of connecting the supply, limit switch, and momentary start switch, as well as the two SPDT relay circuits whose function is the same for both 25SU5 and 70D40-41 controls. All wiring must have 600 volt insulation.

3. Note the typical circuit diagram for complete information.
4. Install the Modernization Adapter and tighten the two retaining screws.



5. Assemble the control and module and install the unit into the Modernization Adapter. Tighten the chassis retainer.

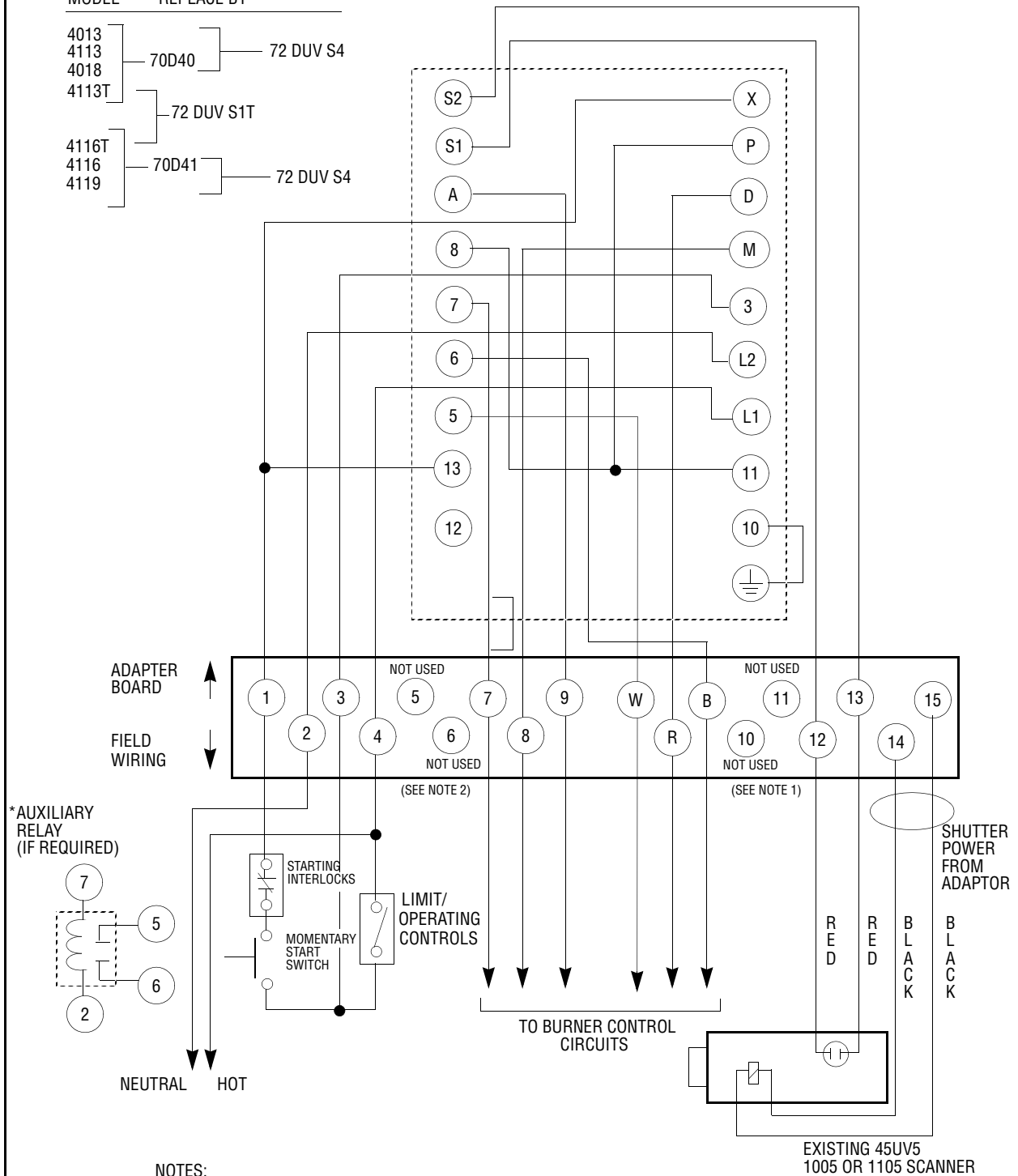


6. Referring to Fireeye bulletin D-4041 turn the power on. Initiate a normal burner startup and operational test as described for the D40 control unit.

7. For assistance with non-standard installations contact your Fireeye distributor (see publication F-100 or look in the Yellow pages under *Controls*.)

Adaptor and Field wiring changes to replace all UVP-5S controls type 25SU5 Models as listed below with 70D40 (120V) or 70D41 (230V) controls

MODEL	REPLACE BY
4013	70D40
4113	
4018	
4113T	72 DUV S1T
4116T	70D41
4116	
4119	

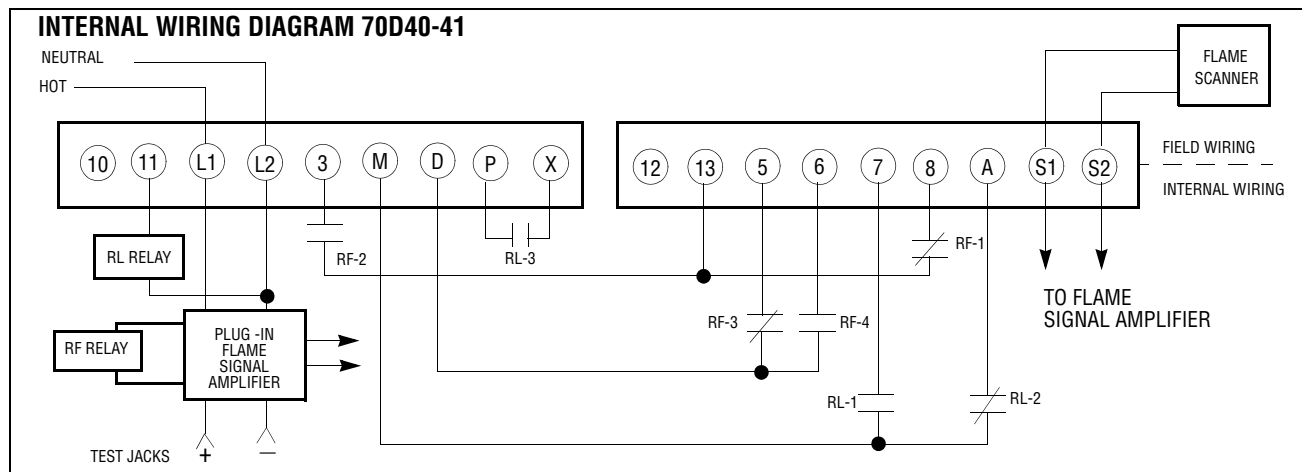
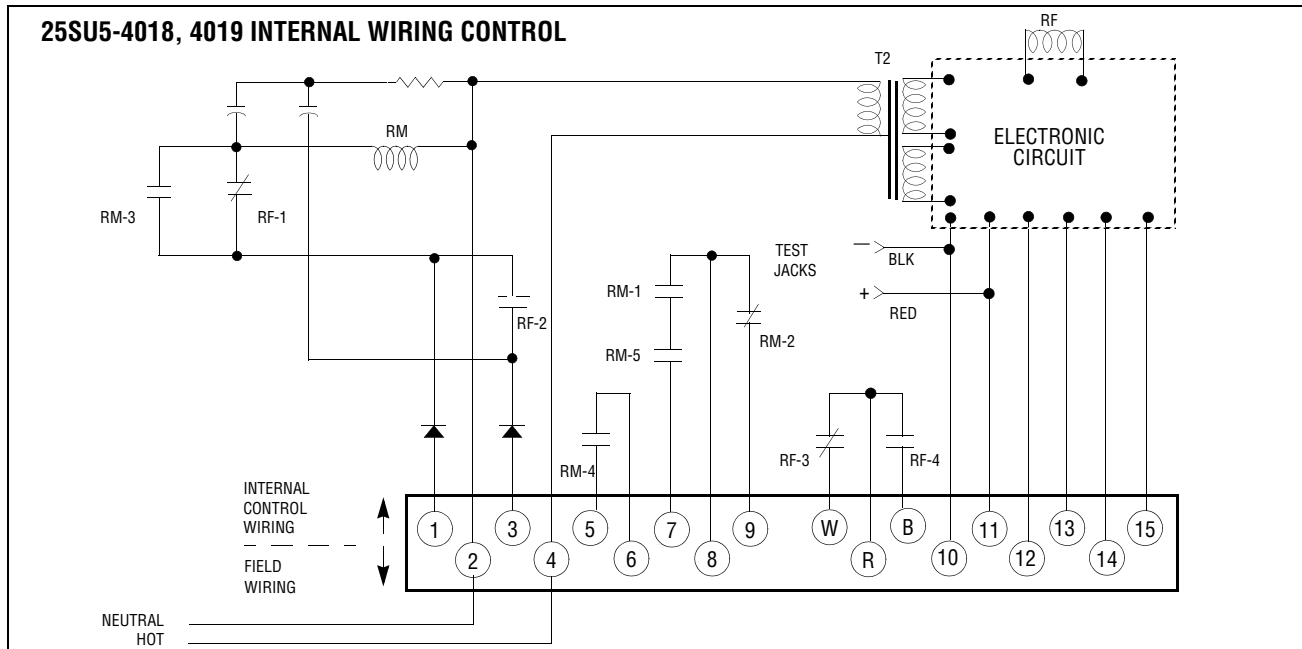


NOTES:

1. FLAME SIGNAL METER TO BE REWIRED TO TEST JACKS ON D-SERIES CONTROL YOU MUST USE 0-25 VDC METER, FIREYE P.N 38-53.
2. FIREYE 25SU5 CONTROLS INCLUDED A SP-NO LOAD CIRCUIT AT TERMINALS 5 AND 6 WHICH IS NOT INCLUDED WHEN 70D40-41 IS USED. IF THE 5-6 CIRCUIT FUNCTION IS DESIRED, ADD AN AUXILIARY RELAY CONNECTED AS SHOWN ABOVE.



## WIRING DIAGRAMS



## NOTICE

When Fireye products are combined with equipment manufactured by others and/or integrated into systems designed or manufactured by others, the Fireye warranty, as stated in its General Terms and Conditions of Sale, pertains only to the Fireye products and not to any other equipment or to the combined system or its overall performance.

## WARRANTIES

FIREYE guarantees for *one year from the date of installation or 18 months from date of manufacture* of its products to replace, or, at its option, to repair any product or part thereof (except lamps, electronic tubes and photocells) which is found defective in material or workmanship or which otherwise fails to conform to the description of the product on the face of its sales order. **THE FOREGOING IS IN LIEU OF ALL OTHER WARRANTIES AND FIREYE MAKES NO WARRANTY OF MERCHANTABILITY OR ANY OTHER WARRANTY, EXPRESS OR IMPLIED.** Except as specifically stated in these general terms and conditions of sale, remedies with respect to any product or part number manufactured or sold by Fireye shall be limited exclusively to the right to replacement or repair as above provided. In no event shall Fireye be liable for consequential or special damages of any nature that may arise in connection with such product or part.



FIREYE®  
3 Manchester Road  
Derry, New Hampshire 03038 USA  
www.fireye.com

PD-15  
JANUARY 17, 2006  
Supersedes Dec. 1998