



# SCANNER CONNECTOR KIT

P/N 60-2366



## DESCRIPTION

The scanner connector kit (P/N 60-2366) provides the user with the ability to quickly install or remove the wiring for a number of models of Fireye scanners (45RM1, 45RM2, and 45UV5). The kit consists of a pre-wired male connector, female insert, female contacts, hood assembly, cable seal kit and a 1/2" flexible conduit fitting (not shown in photo above).

Fireye scanner cable (P/N 59-470) is recommended when wiring the connector kit. It has been tested by Fireye and accepted for this application.

Refer to the appropriate scanner bulletin for proper operation and check-out procedure.

Refer to the appropriate amplifier bulletin for cable connection details.

## CONTROL AND SCANNER WIRING

All wiring to the scanner should be rated at 600 volts and 90C. For runs less than 1000 feet, the use of Fireye Scanner Cable Part No. 59-470 is recommended. For runs in excess of 1000 feet, consult the factory.

The scanner cable should always be installed using acceptable wiring practices (eg: use of wiring troughs, keep scanner cable away from wiring for high inductive loads, etc.)



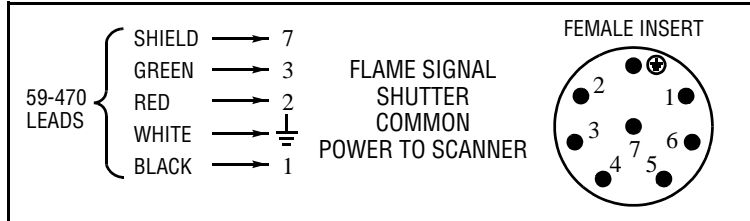
**CAUTION: Disconnect all power before installation.**

### CONNECTING 59-470 SCANNER CABLE TO FEMALE INSERT

1. Pull the Fireye scanner cable through flexible (e.g. "Seal-tight") conduit at the burner front.
2. Test the rubber cable seal for proper fit, (part of cable seal kit). Depending on the cable used, it may be necessary to remove inner ring(s) to provide a snug fit. Set aside until step 9.
3. Strip the outer cable jacket 2 1/2 inch (64 mm).
4. Trim insulated conductors to 1 3/8 inch (35 mm).
5. Strip individual conductor insulation 5/16 inch (8 mm).

6. Install the PG16 to 1/2 inch flexible conduit adapter onto the cable.
7. Install the PG11 / PG16 adapter onto the cable. (With flexible conduit, the PG11 / PG16 adapter *replaces* the nut provided with the cable seal kit).
8. Install the first of two flat washers, (part of cable seal kit), onto the cable.
9. Slide the rubber seal and second flat washer, (part of cable seal kit), onto the cable.
10. Crimp the female contacts onto the individual conductors, (or solder, using the *least* amount of solder).

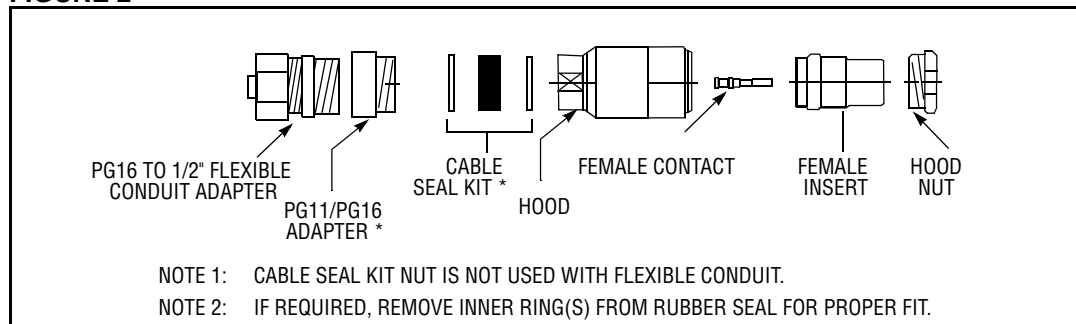
**FIGURE 1**



11. Install the connector hood on the cable, making sure the hood nut is removed.
12. Install the contacts into the female insert in the appropriate order. When properly installed, the contacts will “click” into the insert. Verify by pulling slightly on each wire.
13. Place the threaded hood nut over the female insert.
14. Slide the connector hood over the female insert, aligning the hood locating “key” with the wide groove on the female insert.
15. Tighten the threaded hood nut.
16. Slide the second flat washer and the rubber seal into the connector hood. Push seal into place until firmly seated.
17. Slide the first flat washer into the connector hood.
18. Install the PG11 / PG16 adapter and tighten firmly to properly compress the rubber seal.
19. Install the PG16 to 1/2 inch flexible conduit adapter.

Before applying power, perform a continuity check on each conductor to confirm proper assembly.

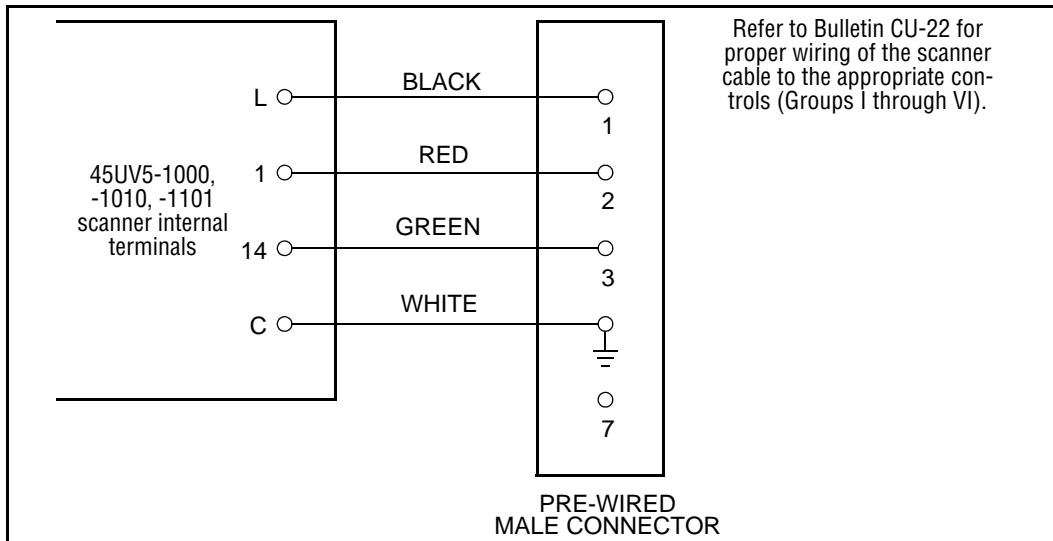
**FIGURE 2**



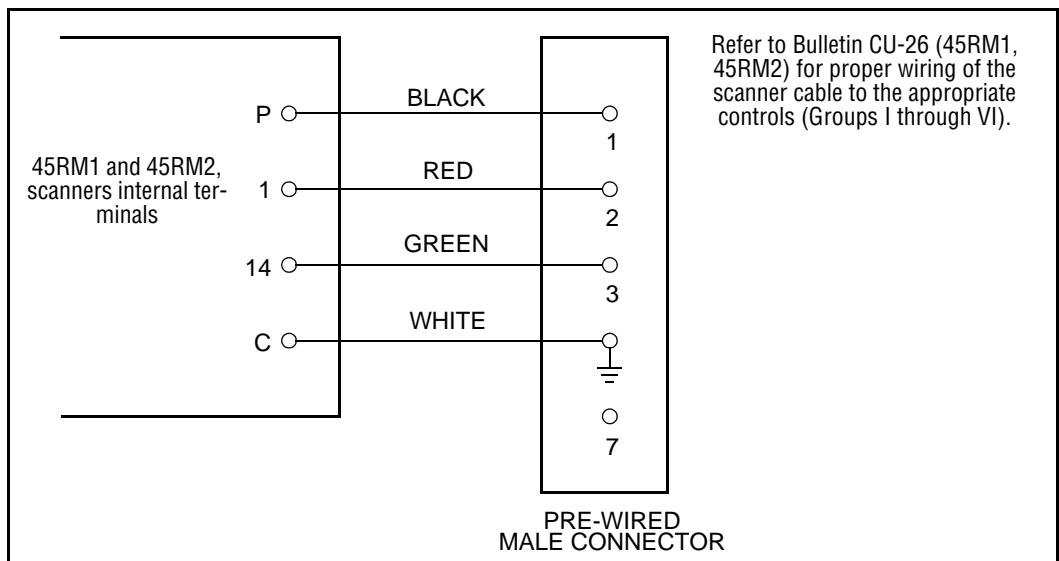
### Connecting Pre-Wired Male Connector to Scanner

1. Remove the Fireeye cover on the scanner to expose the 4 terminal screws.
2. Feed the 4 wires from the male connector through the threaded opening.
3. Screw the male connector into the scanner and tighten the locking nut with an adjustable wrench.
4. Connect the wires to the appropriate terminals as shown on pg. 3.

### CONNECTOR WIRING 45UV5-1000, 1010, -1101 SCANNERS



### CONNECTOR WIRING: 45RM1 AND 45RM2 SCANNERS



*Note: Shield is connected at control end only; the shield at the scanner should be left disconnected.*

### CONNECTING SCANNER TO AMPLIFIER

Refer to the appropriate amplifier bulletins for cable connection details. The following amplifiers are appropriate for use with the 45UV5, 45RM1 and 45RM2 scanners.

**GROUP I:** 25SU3 Models 4163(T), 4164(T), 4168(T), 4169(T), 4170, 4171. Also System 126.

**GROUP II:** 25SU3 Models 4157, 4158, 4162, 4165, 4166.  
25SU5 Models 4011, 4012, 4117.

**GROUP III:** 25SU3 Models 1157(T), 1158(T), 1160, 1161, 1162, 1166.  
25SU5 Models 1101, 1111(T), 1112(T), 1117.

**GROUP IV:** 25SU3 Models 5170, 7172, 5173.

**GROUP V:** 25SU3 Models 5166, 5168.  
25SU5 Models 5011, 5012, 5013.

**GROUP VI:** 25SU3 Models 2000, 2100.



---

## NOTICE

When Fireeye products are combined with equipment manufactured by others and/or integrated into systems designed or manufactured by others, the Fireeye warranty, as stated in its General Terms and Conditions of Sale, pertains only to the Fireeye products and not to any other equipment or to the combined system or its overall performance.

---

## WARRANTIES

FIREYE guarantees for *one year from the date of installation or 18 months from date of manufacture* of its products to replace, or, at its option, to repair any product or part thereof (except lamps, electronic tubes and photocells) which is found defective in material or workmanship or which otherwise fails to conform to the description of the product on the face of its sales order. **THE FOREGOING IS IN LIEU OF ALL OTHER WARRANTIES AND FIREYE MAKES NO WARRANTY OF MERCHANTABILITY OR ANY OTHER WARRANTY, EXPRESS OR IMPLIED.** Except as specifically stated in these general terms and conditions of sale, remedies with respect to any product or part number manufactured or sold by Fireeye shall be limited exclusively to the right to replacement or repair as above provided. In no event shall Fireeye be liable for consequential or special damages of any nature that may arise in connection with such product or part



FIREYE™  
3 Manchester Road  
Derry, New Hampshire 03038 USA  
[www.fireeye.com](http://www.fireeye.com)

CU-50  
SEPTEMBER 14, 2005  
Supersedes April 2001

