



# ANALOG BAR GRAPH METER (LED) 38-88

Year 2000 Compliant in accordance with BSI document DISC PD2000-I:1998

## APPLICATION

The Analog Bar Graph Meter, P/N 38-88, is comprised of a series of voltage comparators coupled to a light emitting diode (LED) display. Flame output signal intensities ranging from zero to three volts DC provided on Fireeye controls are displayed on the meter across its ten LED vertical scale. The table below is a convenient tabulation of flame signal intensities versus illuminated LEDs.

ILLUMINATED LEDs	FLAME SIGNAL INTENSITY (volts) $\geq$	ILLUMINATED LEDs	FLAME SIGNAL INTENSITY (volts) $\geq$
0	2.95	5	1.48
9	2.66	4	1.19
8	2.37	3	.89
7	2.07	2	.59
6	1.78	1	.30

*Note: If two enabled scanners connected to one control, are detecting flame simultaneously, the meter will display the sum of the two flame intensities.*

## SPECIFICATIONS

**Range:** 0-3 VDC

**Power Input:** +24VDC

**Operating Temperature Range:** 32-158° F (0-7° C)

**Power Consumption:** 25mA max.

**Weight:** 0.3 lb (.14Kg)



## METER AND CONTROL WIRING

For meter connections to type 25SU3-4166 and type 25SU5-4117 (See Bulletin CX-741(E)).

METER WIRING CONNECTIONS	
38-88 METER	CONTROL TERMINALS
GND	13
+24	External + 24VDC Power Supply Required
SIG	15

Type 25SU3-4170/4171 Control. See Bulletin CU-20/CU-20E

METER WIRING CONNECTIONS		
38-88 METER	60-1706 FLAME AMPLIFIER RACK	4170/4171 CONTROL
GND	FM1	PL2
+24	FM3	PL4
SIG	FM2	PL3

Type 25SU3-4169T Control. See Bulletin CX-784

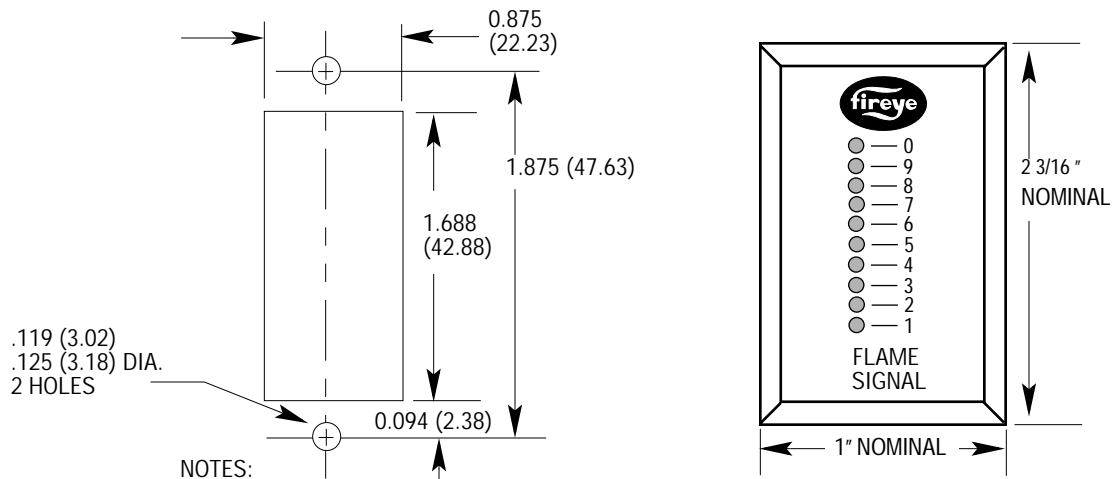
METER WIRING CONNECTIONS		
38-88 METER	60-1706 FLAME AMPLIFIER RACK	4169TCONTROL
GND	FM1	PL2
+24	+	PLR8
SIG	FM2	PL3

## INSTALLATION

PANEL MOUNTING

CUT-OUT DIMENSIONS

FACE DIMENSIONS



FIREYE®  
3 Manchester Road  
Derry, New Hampshire 03038  
<http://www.fireye.com>

CU-24  
FEBRUARY 1999  
Supersedes March 1995