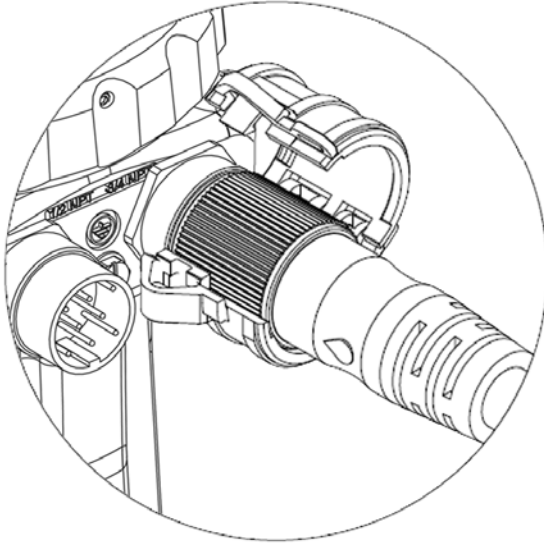


133-739

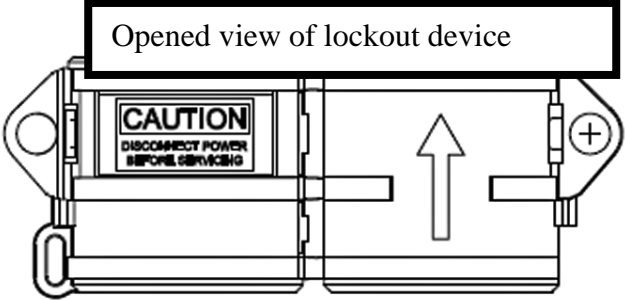
**INSTALLATION AND REMOVAL INSTRUCTIONS
FOR 29-431 LOCKOUT DEVICE ON 59-546 & 59-547 CABLES
LOCKOUT DEVICE IS REQUIRED FOR ALL CLASS I DIV II
HAZARDOUS LOCATION APPLICATIONS
LOCKOUT DEVICE IS SUPPLIED WITH ALL CORDSET CABLES**



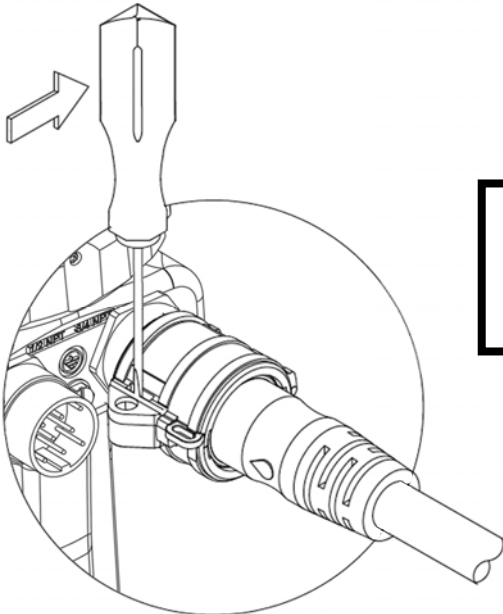
To install lockout device, place around cordset end with arrow facing the device and close until connector snaps closed.

Hole provided for optional locking device.

Receptacle for optional tether strap or ID tag



Opened view of lockout device



To remove lockout device, insert small screwdriver into locking groove as shown in picture. Rotate screwdriver in direction shown until locking device releases.

When ever the revision of this document changes also revise drawings 59-546 & 59-547.