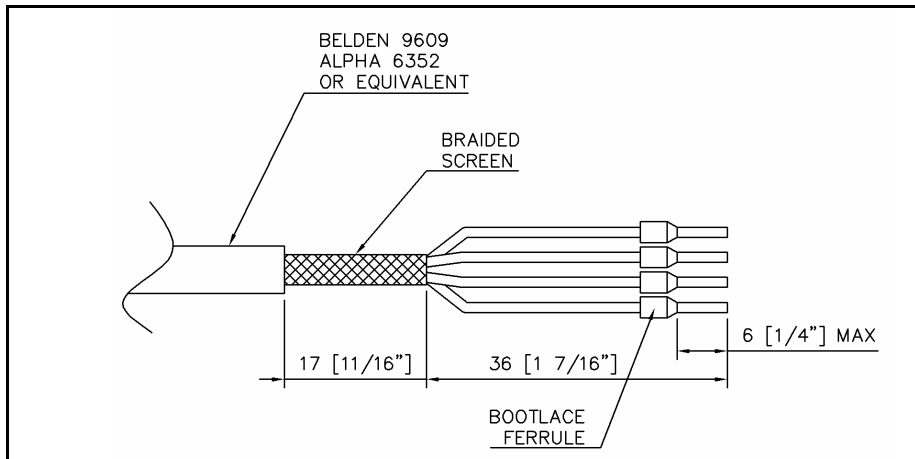




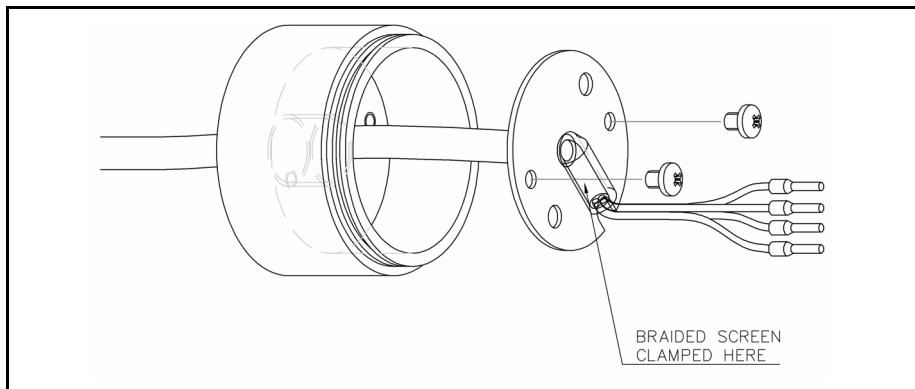
## Instruction Sheet 133-715

### Installation of NX1021 and NX103x Sensor Wiring

1. Prepare wiring as shown below\*



2. Clamp the braided screen between the lid and the clamp plate with the wire tails protruding from the 'D' cut-out as shown below. Fix the clamp plate with the screws provided



3. Terminate the wires as follows

SENSOR TERMINALS		NX3100/4100 TERMINALS	
		STEAM PRESSURE	GAS PRESSURE
Pin1	Test	PE23	PE19
Pin2	OV	PE22	PE18
Pin3	Output	PE21	PE17
Pin4	Supply (30Vdc)	PE20	PE16

\*Dimensions are mm (inch)