

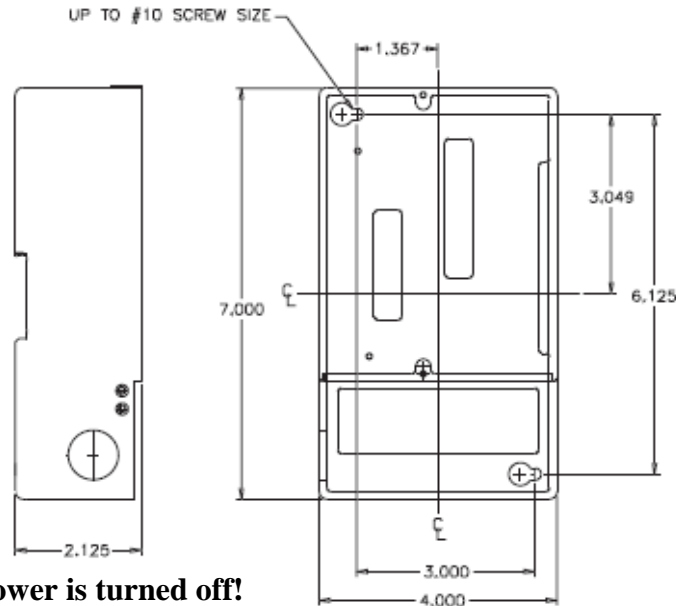
INSTALLATION INSTRUCTIONS

133-707

Terminal Block Wiring Base Used with BurnerLogix YZ300 Interlock Annunciator

INSTALLATION INSTRUCTIONS

Wiring base part number 60-2872-1 offers a closed wiring compartment suitable for mounting outside of a cabinet. Knockouts are located along the bottom surface of the wiring base. Wiring base 60-2874-1 offers an open wiring base accessible from the bottom and suitable for mounting inside a cabinet. Both wiring base styles contain a terminal block inside the wiring compartment and are located outside of the control mounting area. Access to the compartment is gained by loosening and NOT removing the screws used to secure the housing compartment cover. The terminal block allows easy troubleshooting access to all YZ300 Interlock Annunciator terminals without the need to remove the control from the base. As shipped, all knockouts on the 60-2872-1 are in place and can be easily removed with either a screwdriver (used as a chisel) or a blunt force of greater than 10 lbs. The wiring base can be mounted using either a din rail or direct mounted to a back plate using up to #10-32 screws. The mounting location for the din rail is along the horizontal center line. The mounting information is detailed as follows:



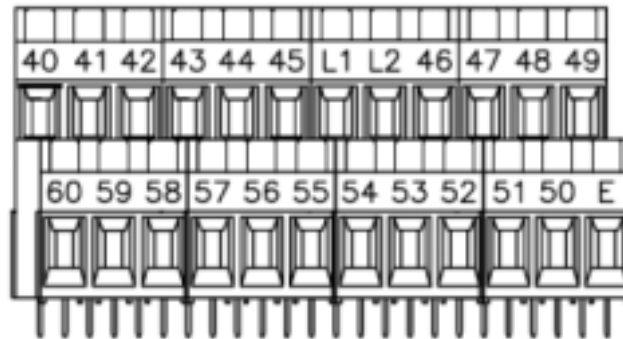
Ensure that electrical power is turned off!



WARNING: Installer must be trained and qualified. Follow the burner manufacturer's instructions. Controls require safety limits utilizing isolated mechanical contacts. Electronic limit switches may cause erratic operation and should be avoided.

CAUTION: Refer to SN-100 for recommended grounding techniques. Be aware that power to some interlocks (operating controls, air flow switches, modulating circuits, etc.) may be derived from sources other than what is controlling the BurnerLogix

Wiring bases 60-2872-1 and 60-2874-1 each contain a 24 position terminal block. Each terminal can accept either 2 type 16 AWG wires or a single type 14 AWG wire. Each terminal is a clamp type terminal that provides sufficient pressure against the wire. For any interlock of the YZ300 that is not used, a jumper must be placed between those two terminals. For example, if AUX LIMIT #7 is not used, a jumper must be placed from terminal 59 to terminal 60.



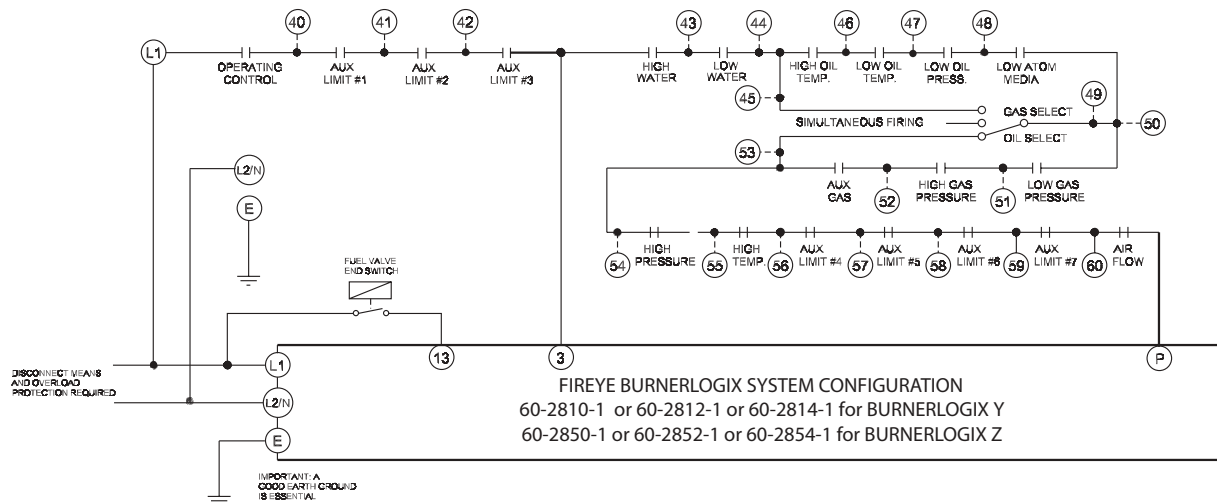
The fuel select switch connects to terminals 45, 49 and 53.

Important: If a particular interlock is not used, a jumper must be installed on the terminals of the Interlock Annunciator Module wiring base which corresponds to that unused interlock. For example: if the system has no high temperature switch and no need for auxiliary limits 5 and 6, a jumper should be placed between terminals 55 and 56, 57 and 58, 58 and 59.

Important: When a single fuel burner is used, a fuel selector switch is not necessary. However, the fuel selection terminals for the unused fuel type must be jumped out.

For gas only: connect terminal 45 to 49
For oil only: connect terminal 49 to 53

When the fuel selector switch is in the GAS position, the 4 oil interlocks are ignored by the BurnerLogix Control. When the switch is in the OIL position, the 3 gas interlocks are ignored.



Refer to bulletin YZEM-3001 for operational detail.

Note: All existing wiring on terminals not shown will be undisturbed when the YZ300 is installed.